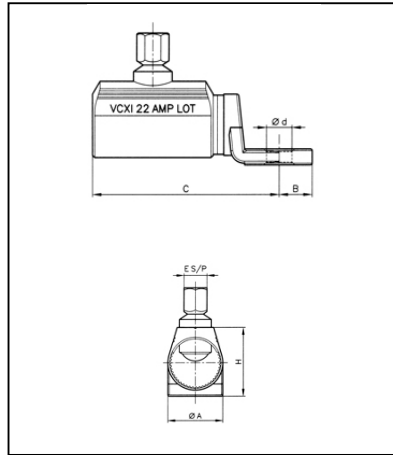


Bimetallic bolted lugs, VCXI type



Application

- These bimetallic bolted lugs are used for connection of aluminium or copper industrial conductor, only for indoor application.
- LV connection on busbar inside electrical panel and on compact type circuit breaker (new generation).

Description

- The lug is made of aluminium barrel link to an aluminium palm by friction welding technology.
- The aluminium barrel is provided with a shear head bolt controlling the tightening torque.
- Copper palm compatible with the pals of the apparatus to be connected.
- No specific tools are required, only one bolt needed to ensure the tightening.

Features & Benefits

- Accept aluminium and copper cables
- Copper palm compatible with the palms of the apparatus to be connected
- Range taking, reduced stock: only 5 types of lugs to connect from 25 to 500mm²
- Compact: can be fitted into the new generation of circuit breaker (compact type)

• VERSATILE

- Inner surface of aluminium part is grooved at the manufacturing stage and greased to ensure a good electrical contact with wires to be joined
- Tightening torque controlled by shear head system

• RELIABLE

- No specific tool: only one bolt to tighten

• QUICK

- Comply with French standard NF C 63061, EN611238-1. class B for electrical tests, EN 611238 for tensile tests.

Designation	PN	RPN	Cross Section (mm ²)		Dimensions (mm)					Max. Intensity	Weight (g)	Standard Packaging
			Alu	Cuivre	Ø A	B	C	Ø d	E S/P			
VCXI 11	0-1351532-1	044110-000	from 25 to 70	from 25 to 50	16	8	40	6	10	160 A	30	4
VCXI 14	0-1350531-1	917858-000	from 50 to 120	from 50 to 95	20	10	60	10	10	250 A	60	4
VCXI 18	0-1350532-1	168670-000	from 95 to 185	from 95 to 120	25	12,5	72	10	13	315 A	115	4
VCXI 22	0-1350533-1	892664-000	from 150 to 300	from 150 to 185	31	15,5	89	12	13	400 A	215	4
VCXI 29	0-1351601-1	151466-000	from 240 to 500	240	40	20	105	16	13	630 A	395	4

Energy Division

Page 1 of 1

While Tyco Electronics and its affiliates referenced herein have made every reasonable effort to ensure the accuracy of the information contained in this catalog, Tyco Electronics cannot assure that this information is error free. For this reason, Tyco Electronics does not make any representation or offer any guarantee that such information is accurate, correct, reliable or current. Tyco Electronics reserves the right to make any adjustments to the information at any time. Tyco Electronics expressly disclaims any implied warranty regarding the information contained herein, including, but not limited to, the implied warranties of merchantability or fitness for a particular purpose. Tyco Electronics' only obligations are those stated in Tyco Electronics' Standard Terms and Conditions of Sale. Tyco Electronics will in no case be liable for any incidental, indirect or consequential damages arising from or in connection with, including, but not limited to, the sale, resale, use or misuse of its products. Users should rely on their own judgment to evaluate the suitability of a product for a certain purpose and test each product for its intended application. In case of any potential ambiguities or questions, please don't hesitate to contact us for clarification.

TE (logo) and Tyco Electronics are trademarks of the Tyco Electronics group of companies and its licensors